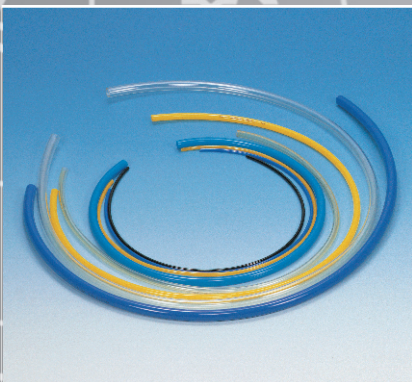
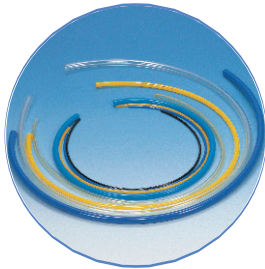




TPC Pneumatics



TPC Pneumatics
12411 McCann Drive
Santa Fe Springs, CA 90670



I · N · D · E · X

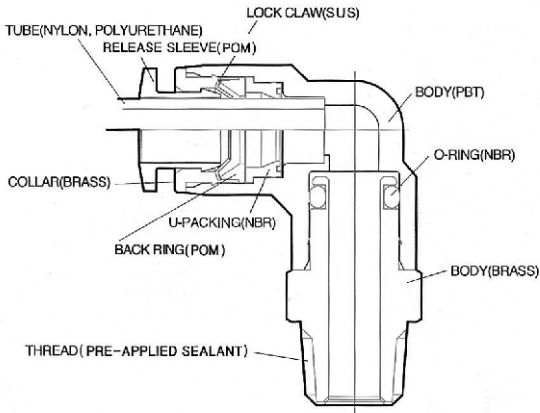


03	· · · · ·	ONE-TOUCH FITTINGS
13	· · · ·	COMPACT ONE-TOUCH FITTINGS
17	· · · · ·	STOP FITTINGS
19	· · · · ·	CHECK VALVES
21	· · · · ·	HAND VALVES
23	· · · · ·	SPEED CONTROLLERS
26	· · · · ·	TUBING



One-Touch Fittings

Construction



FEATURES

- One-Touch Push-to-connect configuration allows an instant tubing connection.
- Smooth-edge release sleeve design facilitates a quick tubing disconnection.
- Aesthetically pleasing nickel-plated metallic optional feature ensures anti-corrosion and anti-contamination properties for an extended product life.
- Pre-applied sealant on all external threads eliminates the additional sealing requirement.
- Internal and/or external flat-to-flat hexagonal configurations for both metric and inch specifications allow a proper tightening or directional orientation upon installation by using L key or allen wrench for the applicable model types.

Specifications

Applicable fluid Type	AIR(No other type of gas or liquid)	
Working Pressure range	0~150 PSI	0~9.9kgF/cm ² (0~990KPa)
Negative Pressure	-29.5 in Hg	-750mm Hg(10 Torr)
Working temperature Range	32~140°F	0~60°C

Product Code Designation

SQ / FS	—	T1/4	—	N1/4
(a)		(b)		(c)

- Ⓐ MODEL TYPE : SQ (Metric) / FS (Inch Tube)
- Ⓑ TUBE OUTSIDE DIAMETER(φ O.D.)

	METRIC TUBE						INCH TUBE					
CODE	04	06	08	10	12	16	5/32	3/16	1/4	5/16	3/8	1/2
SIZE	4mm	6mm	8mm	10mm	12mm	16mm	5/32"	3/16"	1/4"	5/16"	3/8"	1/2"

	SLEEVE COLOR	
TUBE TYPE	Metric	Inch
COLOR	Blue	Black

Ⓒ THREAD TYPE & SIZE(T)

• METRIC & R(P.T) THREAD

	METRIC THREAD		R(P.T) THREAD			
CODE	M5	M6	01	02	03	04
SIZE	M5×0.8	M6×1.0	R1/8	R1/4	R3/8	R1/2

• INCH(UNF & NPT) THREAD

	UNF THREAD	NPT THREAD			
CODE	U	N1	N2	N3	N4
SIZE	10-32UNF	NPT1/8	NPT1/4	NPT3/8	NPT1/2

● Male Straight

[ØD-T]



THREAD	METRIC TUBE					INCH TUBE					
	04	06	08	10	12	5/32	3/16	1/4	5/16	3/8	1/2
10-32UNF						FS-T5/32-U10	FS-T3/16-U10	FS-T1/4-U10			
1/8NPT						FS-T5/32-N1/8	FS-T3/16-N1/8	FS-T1/4-N1/8	FS-5T/16-N1/8	FS-T3/8-N1/8	FS-T1/2-N1/8
1/4NPT						FS-T5/32-N1/4	FS-T3/16-N1/4	FS-T1/4-N1/4	FS-5T/16-N1/4	FS-T3/8-N1/4	FS-T1/2-N1/4
3/8NPT						FS-T5/32-N3/8	FS-T3/16-N3/8	FS-T1/4-N3/8	FS-5T/16-N3/8	FS-T3/8-N3/8	FS-T1/2-N3/8
1/2NPT								FS-T1/4-N1/2	FS-5T/16-N1/2	FS-T3/8-N1/2	FS-T1/2-N1/2
M5	SQH04-M5	SQH06-M5				FS-T5/32-M5	FS-T3/16-M5	FS-T1/4-M5			
1/8PT	SQH04-01S	SQH06-01S	SQH08-01S	SQH10-01S		FS-T5/32-P1/8	FS-T3/16-P1/8	FS-T1/4-P1/8	FS-5T/16-P1/8	FS-T3/8-P1/8	
1/4PT	SQH04-02S	SQH06-02S	SQH08-02S	SQH10-02S	SQH12-02S	FS-T5/32-P1/4	FS-T3/16-P1/4	FS-T1/4-P1/4	FS-5T/16-P1/4	FS-T3/8-P1/4	FS-T1/2-P1/4
3/8PT		SQH06-03S	SQH08-03S	SQH10-03S	SQH12-03S	FS-T5/32-P3/8	FS-T3/16-P3/8	FS-T1/4-P3/8	FS-5T/16-P3/8	FS-T3/8-P3/8	FS-T1/2-P3/8
1/2PT			SQH08-04S	SQH10-04S	SQH12-04S			FS-T1/4-P1/2	FS-5T/16-P1/2	FS-T3/8-P1/2	FS-T1/2-P1/2

* BODY COLOR : 1)METRIC-WHITE 2)INCH-BLACK

● Round Male Straight

[ØD-T]



THREAD	METRIC TUBE					INCH TUBE					
	04	06	08	10	12	5/32	3/16	1/4	5/16	3/8	1/2
10-32UNF						FSR-T5/32-U10	FSR-T3/16-U10	FSR-T1/4-U10			
1/8NPT						FSR-T5/32-N1/8	FSR-T3/16-N1/8	FSR-T1/4-N1/8	FSR-5T/16-N1/8	FSR-T3/8-N1/8	
1/4NPT						FSR-T5/32-N1/4	FSR-T3/16-N1/4	FSR-T1/4-N1/4	FSR-5T/16-N1/4	FSR-T3/8-N1/4	
3/8NPT						FSR-T5/32-N3/8			FSR-5T/16-N3/8	FSR-T3/8-N3/8	
1/2NPT										FSR-T3/8-N1/2	
M5	SQSR04-M5	SQSR06-M5									
M6	SQSR04-M6	SQSR06-M6									
1/8PT	SQSR04-01	SQSR06-01	SQSR08-01	SQSR10-01	SQSR12-01	FSR-T5/32-P1/8		FSR-T1/4-P1/8	FSR-5T/16-P1/8		
1/4PT	SQSR04-02	SQSR06-02	SQSR08-02	SQSR10-02	SQSR12-02	FSR-T5/32-P1/4		FSR-T1/4-P1/4	FSR-5T/16-P1/4	FSR-T3/8-P1/4	FSR-T1/2-P1/4
3/8PT	SQSR04-03	SQSR06-03	SQSR08-03	SQSR10-03	SQSR12-03				FSR-5T/16-P3/8	FSR-T3/8-P3/8	FSR-T1/2-P3/8
1/2PT			SQSR08-04	SQSR10-04	SQSR12-04					FSR-T3/8-P1/2	FSR-T1/2-P1/2

● Bulkhead Female Straight

[ØD-T]



THREAD	METRIC TUBE					INCH TUBE					
	04	06	08	10	12	5/32	3/16	1/4	5/16	3/8	1/2
1/8NPT						FSTF-T5/32-N1/8	FSTF-T3/16-N1/8	FSTF-T1/4-N1/8	FSTF-T5/16-N1/8		
1/4NPT							FSTF-T3/16-N1/4	FSTF-T1/4-N1/4	FSTF-T5/16-N1/4	FSTF-T3/8-N1/4	FSTF-T1/2-N1/4
3/8NPT									FSTF-T5/16-N3/8	FSTF-T3/8-N3/8	FSTF-T1/2-N3/8
1/2NPT											FSTF-T1/2-N1/2
1/8PT	SQE04-01	SQE06-01	SQE08-01	SQE10-01		FSTF-T5/32-P1/8	FSTF-T3/16-P1/8	FSTF-T1/4-P1/8	FSTF-T5/16-P1/8		
1/4PT		SQE06-02	SQE08-02	SQE10-02	SQE12-02		FSTF-T3/16-P1/4	FSTF-T1/4-P1/4	FSTF-T5/16-P1/4	FSTF-T3/8-P1/4	FSTF-T1/2-P1/4
3/8PT			SQE08-03	SQE10-03	SQE12-03			FSTF-T1/4-P3/8	FSTF-T5/16-P3/8	FSTF-T3/8-P3/8	FSTF-T1/2-P3/8
1/2PT					SQE12-04						FSTF-T1/2-P1/2

* BODY COLOR : 1)METRIC-WHITE 2)INCH-BLACK



Female Straight

[ØD-T]



THREAD	METRIC TUBE					INCH TUBE						
	04	06	08	10	12	5/32	3/16	1/4	5/16	3/8	1/2	
1/8NPT						FSRF-T5/32-N1/8	FSRF-T3/16-N1/8	FSRF-T1/4-N1/8	FSRF-T5/16-N1/8	FSRF-T3/8-N1/8		
1/4NPT						FSRF-T5/32-N1/4	FSRF-T3/16-N1/4	FSRF-T1/4-N1/4	FSRF-T5/16-N1/4	FSRF-T3/8-N1/4	FSRF-T1/2-N1/4	
3/8NPT								FSRF-T1/4-N3/8	FSRF-T5/16-N3/8	FSRF-T3/8-N3/8	FSRF-T1/2-N3/8	
1/2NPT									FSRF-T5/16-N1/2	FSRF-T3/8-N1/2		
1/8PT	SQF04-01	SQF06-01	SQF08-01				FSRF-T3/16-P1/8	FSRF-T1/4-P1/8	FSRF-T5/16-P1/8	FSRF-T3/8-P1/8		
1/4PT	SQF04-02	SQF06-02	SQF08-02	SQF10-02	SQF12-02		FSRF-T3/16-P1/4	FSRF-T1/4-P1/4	FSRF-T5/16-P1/4	FSRF-T3/8-P1/4	FSRF-T1/2-P1/4	
3/8PT		SQF06-03	SQF08-03	SQF10-03	SQF12-03			FSRF-T1/4-P3/8	FSRF-T5/16-P3/8	FSRF-T3/8-P3/8	FSRF-T1/2-P3/8	
1/2PT					SQF12-04				FSRF-T5/16-P1/2	FSRF-T3/8-P1/2		

* BODY COLOR : 1)METRIC-WHITE 2)INCH-BLACK

Union Straight & Reducer

[ØD]



TUBE	METRIC TUBE					INCH TUBE						
	04	06	08	10	12	5/32	3/16	1/4	5/16	3/8	1/2	
5/32						FS-T5/32-T5/32	FS-T3/16-T5/32	FS-T1/4-T5/32				
3/16							FS-T3/16-T3/16					
1/4								FS-T1/4-T1/4	FS-T5/16-T1/4			
5/16									FS-T5/16-T5/16	FS-T3/8-T5/16		
3/8										FS-T3/8-T5/16	FS-T1/2-T3/8	
1/2											FS-T1/2-T1/2	
04	SQH04-00											
06	SQH04-06	SQH06-00										
08		SQH06-08	SQH08-00									
10			SQH08-10	SQH10-00								
12				SQH10-12	SQH12-00							

* BODY COLOR : 1)METRIC-WHITE 2)INCH-BLACK

Bulkhead Union

[ØD]

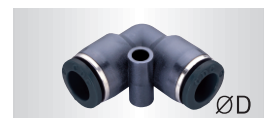


TUBE	METRIC TUBE					INCH TUBE					
	04	06	08	10	12	5/32	3/16	1/4	5/16	3/8	1/2
	SQE04-00	SQE06-00	SQE08-00	SQE10-00	SQE12-00	FST-T5/32-T5/32	FST-T3/16-T3/16	FST-T1/4-T1/4	FST-T5/16-T5/16	FST-T3/8-T3/8	FST-T1/2-T1/2

* BODY COLOR : 1)METRIC-WHITE 2)INCH-BLACK

Union Elbow

[ØD]



TUBE	METRIC TUBE					INCH TUBE					
	04	06	08	10	12	5/32	3/16	1/4	5/16	3/8	1/2
	SQL04-00	SQL06-00	SQL08-00	SQL10-00	SQL12-00	FE-T5/32-T5/32	FE-T3/16-T3/16	FE-T1/4-T1/4	FE-T5/16-T5/16	FE-T3/8-T3/8	FE-T1/2-T1/2

* BODY COLOR : 1)METRIC-WHITE 2)INCH-BLACK

● Male Elbow

[ØD-T]



THREAD	METRIC TUBE					INCH TUBE					
	04	06	08	10	12	5/32	3/16	1/4	5/16	3/8	1/2
10-32UNF						FE-T5/32-U10	FE-T3/16-U10	FE-T1/4-U10			
1/8NPT						FE-T5/32-N1/8	FE-T3/16-N1/8	FE-T1/4-N1/8	FE-T5/16-N1/8	FE-T3/8-N1/8	
1/4NPT						FE-T5/32-N1/4	FE-T3/16-N1/4	FE-T1/4-N1/4	FE-T5/16-N1/4	FE-T3/8-N1/4	FE-T1/2-N1/4
3/8NPT							FE-T3/16-N3/8	FE-T1/4-N3/8	FE-T5/16-N3/8	FE-T3/8-N3/8	FE-T1/2-N3/8
1/2NPT								FE-T1/4-N1/2	FE-T5/16-N1/2	FE-T3/8-N1/2	FE-T1/2-N1/2
M5	SQL04-M5	SQL06-M5				FE-T5/32-M5	FE-T3/16-M5	FE-T1/4-M5			
1/8PT	SQL04-01S	SQL06-01S	SQL08-01S	SQL10-01S		FE-T5/32-P1/8	FE-T3/16-P1/8	FE-T1/4-P1/8	FE-T5/16-P1/8	FE-T3/8-P1/8	
1/4PT	SQL04-02S	SQL06-02S	SQL08-02S	SQL10-02S	SQL12-02S	FE-T5/32-P1/4	FE-T3/16-P1/4	FE-T1/4-P1/4	FE-T5/16-P1/4	FE-T3/8-P1/4	FE-T1/2-P1/4
3/8PT		SQL06-03S	SQL08-03S	SQL10-03S	SQL12-03S		FE-T3/16-P3/8	FE-T1/4-P3/8	FE-T5/16-P3/8	FE-T3/8-P3/8	FE-T1/2-P3/8
1/2PT			SQL08-04S	SQL10-04S	SQL12-04S			FE-T1/4-P1/2	FE-T5/16-P1/2	FE-T3/8-P1/2	FE-T1/2-P1/2

* BODY COLOR : 1)METRIC-WHITE 2)INCH-BLACK

● Extended Male Elbow

[ØD-T]



THREAD	METRIC TUBE					INCH TUBE					
	04	06	08	10	12	5/32	3/16	1/4	5/16	3/8	1/2
10-32UNF						FEL-T5/32-U10		FEL-T1/4-U10			
1/8NPT						FEL-T5/32-N1/8	FEL-T3/16-N1/8	FEL-T1/4-N1/8	FEL-T5/16-N1/8	FEL-T3/8-N1/8	
1/4NPT						FEL-T5/32-N1/4	FEL-T3/16-N1/4	FEL-T1/4-N1/4	FEL-T5/16-N1/4	FEL-T3/8-N1/4	
3/8NPT							FEL-T3/16-N3/8	FEL-T1/4-N3/8	FEL-T5/16-N3/8	FEL-T3/8-N3/8	
1/2NPT										FEL-T3/8-N1/2	
M5	SQW04-M5	SQW06-M5				FEL-T5/32-M5	FEL-T3/16-M5	FEL-T1/4-M5			
1/8PT	SQW04-01S	SQW06-01S	SQW08-01S	SQW10-01S	SQW12-01S	FEL-T5/32-P1/8	FEL-T3/16-P1/8	FEL-T1/4-P1/8	FEL-T5/16-P1/8	FEL-T3/8-P1/8	FEL-T1/2-P1/8
1/4PT	SQW04-02S	SQW06-02S	SQW08-02S	SQW10-02S	SQW12-02S	FEL-T5/32-P1/4	FEL-T3/16-P1/4	FEL-T1/4-P1/4	FEL-T5/16-P1/4	FEL-T3/8-P1/4	FEL-T1/2-P1/4
3/8PT	SQW04-03S	SQW06-03S	SQW08-03S	SQW10-03S	SQW12-03S		FEL-T3/16-P3/8	FEL-T1/4-P3/8	FEL-T5/16-P3/8	FEL-T3/8-P3/8	FEL-T1/2-P3/8
1/2PT		SQW06-04S	SQW08-04S	SQW10-04S	SQW12-04S				FEL-T5/16-P1/2	FEL-T3/8-P1/2	FEL-T1/2-P1/2

* BODY COLOR : 1)METRIC-WHITE 2)INCH-BLACK

● Male Banjo

[ØD-T]



THREAD	METRIC TUBE					INCH TUBE					
	04	06	08	10	12	5/32	3/16	1/4	5/16	3/8	1/2
10-32UNF						FEH-T5/32-U10	FEH-T3/16-U10	FEH-T1/4-U10			
1/8NPT						FEH-T5/32-N1/8	FEH-T3/16-N1/8	FEH-T1/4-N1/8			
1/4NPT							FEH-T3/16-N1/4	FEH-T1/4-N1/4	FEH-T5/16-N1/4		
3/8NPT							FEH-T3/16-N3/8		FEH-T5/16-N3/8	FEH-T3/8-N3/8	
1/2NPT										FEH-T3/8-N1/2	FEH-T1/2-N1/2
M5	SQV04-M5	SQV06-M5				FEH-T5/32-M5		FEH-T1/4-M5			
1/8PT	SQV04-01S	SQV06-01S	SQV08-01S			FEH-T5/32-P1/8		FEH-T1/4-P1/8	FEH-T5/16-P1/8		
1/4PT		SQV06-02S	SQV08-02S	SQV10-02S				FEH-T1/4-P1/4	FEH-T5/16-P1/4	FEH-T3/8-P1/4	
3/8PT		SQV06-03S	SQV08-03S	SQV10-03S	SQV12-03S			FEH-T1/4-P3/8	FEH-T5/16-P3/8	FEH-T3/8-P3/8	FEH-T1/2-P3/8
1/2PT			SQV08-04S	SQV10-04S	SQV12-04S					FEH-T3/8-P1/2	FEH-T1/2-P1/2

* BODY COLOR : 1)METRIC-WHITE 2)INCH-BLACK



Female Elbow

[ØD-T]



THREAD	METRIC TUBE					INCH TUBE					
	04	06	08	10	12	5/32	3/16	1/4	5/16	3/8	1/2
10-32UNF						FEF-T5/32-U10	FEF-T3/16-U10	FEF-T1/4-U10			
1/8NPT						FEF-T5/32-N1/8	FEF-T3/16-N1/8	FEF-T1/4-N1/8	FEF-T5/16-N1/8		
1/4NPT						FEF-T5/32-N1/8	FEF-T3/16-N1/8	FEF-T1/4-N1/4	FEF-T5/16-N1/4	FEF-T3/8-N1/4	
3/8NPT								FEF-T1/4-N1/4	FEF-T5/16-N3/8	FEF-T3/8-N3/8	FEF-T1/2-N3/8
1/2NPT										FEF-T3/8-N3/8	FEF-T1/2-N1/2

* BODY COLOR : 1)METRIC-WHITE 2)INCH-BLACK

Female Banjo

[ØD-T]



THREAD	METRIC TUBE					INCH TUBE					
	04	06	08	10	12	5/32	3/16	1/4	5/16	3/8	1/2
10-32UNF						FEU-T5/32-U10	FEU-T3/16-U10	FEU-T1/4-U10			
1/8NPT						FEU-T5/32-N1/8	FEU-T3/16-N1/8	FEU-T1/4-N1/8	FEU-T5/16-N1/8		
1/4NPT							FEU-T3/16-N1/4	FEU-T1/4-N1/4	FEU-T5/16-N1/4	FEU-T3/8-N1/4	
3/8NPT									FEU-T5/16-N3/8	FEU-T3/8-N3/8	FEU-T1/2-N3/8
1/2NPT											FEU-T1/2-N1/4
M5	SQEU04-M5	SQEU06-M5				FEU-T5/32-M5		FEU-T1/4-M5			
M6	SQEU04-M6	SQEU06-M6									
1/8PT	SQEU04-01	SQEU06-01	SQEU08-01			FEU-T5/32-P1/8		FEU-T1/4-P1/8	FEU-T5/16-P1/8		
1/4PT			SQEU08-02	SQEU10-02				FEU-T1/4-P1/4	FEU-T5/16-P1/4	FEU-T3/8-P1/4	
3/8PT			SQEU08-03	SQEU10-03	SQEU12-03				FEU-T5/16-P3/8	FEU-T3/8-P3/8	FEU-T1/2-P3/8
1/2PT					SQEU12-04						FEU-T1/2-P1/2

Male Branch Tee

[ØD-T]



THREAD	METRIC TUBE					INCH TUBE					
	04	06	08	10	12	5/32	3/16	1/4	5/16	3/8	1/2
10-32UNF						FT-T5/32-U10	FT-T3/16-U10	FT-T1/4-U10			
1/8NPT						FT-T5/32-N1/8	FT-T3/16-N1/8	FT-T1/4-N1/8	FT-T5/16-N1/8	FT-T3/8-N1/8	
1/4NPT						FT-T5/32-N1/4	FT-T3/16-N1/4	FT-T1/4-N1/4	FT-T5/16-N1/4	FT-T3/8-N1/4	FT-T1/2-N1/4
3/8NPT							FT-T3/16-N3/8	FT-T1/4-N3/8	FT-T5/16-N3/8	FT-T3/8-N3/8	FT-T1/2-N3/8
1/2NPT									FT-T5/16-N1/2	FT-T3/8-N1/2	FT-T1/2-N1/2
M5	SQT04-M5	SQT06-M5				FT-T5/32-M5	FT-T3/16-M5	FT-T1/4-M5			
1/8PT	SQT04-01S	SQT06-01S	SQT08-01S	SQT10-01S		FT-T5/32-P1/8	FT-T3/16-P1/8	FT-T1/4-P1/8	FT-T5/16-P1/8	FT-T3/8-P1/8	
1/4PT	SQT04-02S	SQT06-02S	SQT08-02S	SQT10-02S	SQT12-02S	FT-T5/32-P1/4	FT-T3/16-P1/4	FT-T1/4-P1/4	FT-T5/16-P1/4	FT-T3/8-P1/4	FT-T1/2-P1/4
3/8PT		SQT06-03S	SQT08-03S	SQT10-03S	SQT12-04S		FT-T3/16-P3/8	FT-T1/4-P3/8	FT-T5/16-P3/8	FT-T3/8-P3/8	FT-T1/2-P3/8
1/2PT			SQT08-04S	SQT10-04S	SQT12-04S				FT-T5/16-P1/2	FT-T3/8-P1/2	FT-T1/2-P1/2

* BODY COLOR : 1)METRIC-WHITE 2)INCH-BLACK



● Male Run Tee

[ØD-T]

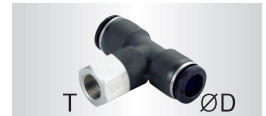
THREAD	METRIC TUBE					INCH TUBE					
	04	06	08	10	12	5/32	3/16	1/4	5/16	3/8	1/2
10-32UNF						FTA-T5/32-U10	FTA-T3/16-U10	FTA-T1/4-U10			
1/8NPT						FTA-T5/32-N1/8	FTA-T3/16-N1/8	FTA-T1/4-N1/8	FTA-T5/16-N1/8	FTA-T3/8-N1/8	
1/4NPT						FTA-T5/32-N1/4	FTA-T3/16-N1/4	FTA-T1/4-N1/4	FTA-T5/16-N1/4	FTA-T3/8-N1/4	FTA-T1/2-N1/4
3/8NPT							FTA-T3/16-N3/8	FTA-T1/4-N3/8	FTA-T5/16-N3/8	FTA-T3/8-N3/8	FTA-T1/2-N3/8
1/2NPT									FTA-T5/16-N1/2	FTA-T3/8-N1/2	FTA-T1/2-N1/2
M5	SQY04-M5	SQY06-M5				FTA-T5/32-M5	FTA-T3/16-M5	FTA-T1/4-M5			
1/8PT	SQY04-01S	SQY06-01S	SQY08-01S	SQY10-01S		FTA-T5/32-P1/8	FTA-T3/16-P1/8	FTA-T1/4-P1/8	FTA-T5/16-P1/8	FTA-T3/8-P1/8	
1/4PT	SQY04-02S	SQY06-02S	SQY08-02S	SQY10-02S	SQY12-02S	FTA-T5/32-P1/4	FTA-T3/16-P1/4	FTA-T1/4-P1/4	FTA-T5/16-P1/4	FTA-T3/8-P1/4	FTA-T1/2-P1/4
3/8PT		SQY06-03S	SQY08-03S	SQY10-03S	SQY12-03S		FTA-T3/16-P3/8	FTA-T1/4-P3/8	FTA-T5/16-P3/8	FTA-T3/8-P3/8	FTA-T1/2-P3/8
1/2PT		SQY06-04S	SQY08-04S	SQY10-04S	SQY12-04S				FTA-T5/16-P1/2	FTA-T3/8-P1/2	FTA-T1/2-P1/2

* BODY COLOR : 1)METRIC-WHITE 2)INCH-BLACK



● Female Branch Tee

[ØD-T]



THREAD	METRIC TUBE					INCH TUBE					
	04	06	08	10	12	5/32	3/16	1/4	5/16	3/8	1/2
1/8NPT						FTF-T5/32-N1/8	FTF-T3/16-N1/8	FTF-T1/4-N1/8	FTF-T5/16-N1/8		
1/4NPT							FTF-T3/16-N1/4	FTF-T1/4-N1/4	FTF-T5/16-N1/4	FTF-T3/8-N1/4	
3/8NPT									FTF-T5/16-N3/8	FTF-T3/8-N3/8	FTF-T1/2-N3/8
1/2NPT											FTF-T1/2-N1/2
M5	SQTF04-M5	SQTF06-M5									
M6	SQTF04-M6	SQTF06-M6									
1/8PT	SQTF04-01	SQTF06-01	SQTF08-01			FTF-T5/32-P1/8	FTF-T3/16-P1/8	FTF-T1/4-P1/8	FTF-T5/16-P1/8		
1/4PT	SQTF04-02	SQTF06-02	SQTF08-02	SQTF10-02	SQTF12-02		FTF-T3/16-P1/4	FTF-T1/4-P1/4	FTF-T5/16-P1/4	FTF-T3/8-P1/4	
3/8PT		SQTF06-03	SQTF08-03	SQTF10-03	SQTF12-03				FTF-T5/16-P3/8	FTF-T3/8-P3/8	FTF-T1/2-P3/8
1/2PT				SQTF10-04	SQTF12-04						FTF-T1/2-P1/2



● Union Tee Reducer T

[ØD]

TUBE	METRIC TUBE					INCH TUBE					
	04	06	08	10	12	5/32	3/16	1/4	5/16	3/8	1/2
5/32						FT-T5/32-T5/32	FT-T1/4-T5/32				
3/16							FT-T3/16-T3/16				
1/4								FT-T1/4-T1/4	FT-T5/16-T1/4	FT-T3/8-T1/4	
5/16									FT-T5/16-T5/16	FT-T3/8-T5/16	
3/8										FT-T3/8-T3/8	FT-T1/2-T3/8
1/2											FT-T1/2-T1/2
04	SQT04-00										
06		SQT06-00									
08			SQT08-00								
10				SQT10-00							
12					SQT12-00						

* BODY COLOR : 1)METRIC-WHITE 2)INCH-BLACK



Male Y

[ØD-T]

THREAD	METRIC TUBE					INCH TUBE					
	04	06	08	10	12	5/32	3/16	1/4	5/16	3/8	1/2
10-32UNF						FY-T5/32-U10	FY-T3/16-U10	FY-T1/4-U10			
1/8NPT						FY-T5/32-N1/8	FY-T3/16-N1/8	FY-T1/4-N1/8	FY-T5/16-N1/8	FY-T3/8-N1/8	
1/4NPT						FY-T5/32-N1/4	FY-T3/16-N1/4	FY-T1/4-N1/4	FY-T5/16-N1/4	FY-T3/8-N1/4	FY-T1/2-N1/4
3/8NPT							FY-T3/16-N3/8	FY-T1/4-N3/8	FY-T5/16-N3/8	FY-T3/8-N3/8	FY-T1/2-N3/8
1/2NPT									FY-T5/16-N1/2	FY-T3/8-N1/2	FY-T1/2-N1/2
M5	SQU04-M5					FY-T5/32-M5	FY-T3/16-M5	FY-T1/4-M5			
1/8PT	SQU04-01S	SQU06-01S	SQU08-01S	SQU10-01S		FY-T5/32-P1/8	FY-T3/16-P1/8	FY-T1/4-P1/8	FY-T5/16-P1/8	FY-T3/8-P1/8	
1/4PT	SQU04-02S	SQU06-02S	SQU08-02S	SQU10-02S	SQU12-02S	FY-T5/32-P1/4	FY-T3/16-P1/4	FY-T1/4-P1/4	FY-T5/16-P1/4	FY-T3/8-P1/4	FY-T1/2-P1/4
3/8PT		SQU06-03S	SQU08-03S	SQU10-03S	SQU12-03S		FY-T3/16-P3/8	FY-T1/4-P3/8	FY-T5/16-P3/8	FY-T3/8-P3/8	FY-T1/2-P3/8
1/2PT				SQU10-04S	SQU12-04S				FY-T5/16-P1/2	FY-T3/8-P1/2	FY-T1/2-P1/2

* BODY COLOR : 1)METRIC-WHITE 2)INCH-BLACK

Union Y & Reducer Y

[ØD]



TUBE	METRIC TUBE					INCH TUBE					
	04	06	08	10	12	5/32	3/16	1/4	5/16	3/8	1/2
5/32						FY-T5/32-T5/32	FY-T1/4-T5/32	FY-T1/4-T5/32			
3/16							FY-T3/16-T3/16	FY-T1/4-T3/16	FY-T5/16-T3/16		
1/4								FY-T1/4-T1/4			
5/16									FY-T5/16-T5/16	FY-T3/8-T5/16	
3/8										FY-T3/8-T3/8	FY-T1/2-T3/8
1/2											FY-T1/2-T1/2
04	SQU04-00										
06	SQU04-06	SQU06-00									
08		SQU06-08	SQU08-00								
10			SQU08-10	SQU10-00							
12				SQU10-12	SQU12-00						

* BODY COLOR : 1)METRIC-WHITE 2)INCH-BLACK

Union Cross

[ØD]



TUBE	METRIC TUBE					INCH TUBE					
	04	06	08	10	12	5/32	3/16	1/4	5/16	3/8	1/2
	SQZ04-00	SQZ06-00	SQZ08-00	SQZ10-00	SQZ12-00	FX-T5/32-T5/32	FX-T3/16-T3/16	FX-T1/4-T1/4	FX-T5/16-T5/16	FX-T3/8-T3/8	FX-T1/2-T1/2

* BODY COLOR : 1)METRIC-WHITE 2)INCH-BLACK

● Reducer Triple Branch Union



[$\varnothing D1 - \varnothing D2$]



TUBE	METRIC TUBE					INCH TUBE					
	04	06	08	10	12	5/32	3/16	1/4	5/16	3/8	1/2
5/32							FM-T3/16-T5/32	FM-T1/4-T5/32	FM-T5/16-T5/32		
3/16									FM-T5/16-T3/16		
1/4									FM-T5/16-T1/4	FM-T3/8-T1/4	
5/16										FM-T3/8-T5/16	
04		SQM06-04	SQM08-04								
06			SQM08-06	SQM10-06							
08				SQM10-08							

● Plug

[$\varnothing D$]



TUBE	METRIC TUBE					INCH TUBE					
	04	06	08	10	12	5/32	3/16	1/4	5/16	3/8	1/2
	SQP04	SQP06	SQP08	SQP10	SQP12	FP-T5/32	FP-T3/16	FP-T1/4	FP-T5/16	FP-T3/8	FP-T1/2

● Cap



[$\varnothing D$]



TUBE	METRIC TUBE					INCH TUBE					
	04	06	08	10	12	5/32	3/16	1/4	5/16	3/8	1/2
	SQPF04	SQPF06	SQPF08	SQPF10	SQPF12	FPF-T5/32	FPF-T3/16	FPF-T1/4	FPF-T5/16	FPF-T3/8	FPF-T1/2

● Plug-In Reducer

[$\varnothing D1 - \varnothing D2$]



TUBE	METRIC TUBE					INCH TUBE					
	04	06	08	10	12	5/32	3/16	1/4	5/16	3/8	1/2
5/32								FSN-T1/4-T5/32	FSN-T5/16-T5/32		
3/16											
1/4										FSN-T3/8-T1/4	FSN-T1/2-T1/4
5/16										FSN-T3/8-T5/16	FSN-T1/2-T5/16
3/8											FSN-T1/2-T3/8
06	SQJ04-06										
08	SQJ04-08	SQJ06-08									
10		SQJ06-10	SQJ08-10								
12			SQJ08-12	SQJ10-12							

* BODY COLOR : 1)METRIC-WHITE 2)INCH-BLACK

● Plug-In Elbow

[$\varnothing D$]



TUBE	METRIC TUBE					INCH TUBE					
	04	06	08	10	12	5/32	3/16	1/4	5/16	3/8	1/2
	SQL04-99	SQL06-99	SQL08-99	SQL10-99	SQL12-99	FEN-T5/32-T5/32	FEN-T3/16-T3/16	FEN-T1/4-T1/4	FEN-T5/16-T5/16	FEN-T3/8-T3/8	FEN-T1/2-T1/2

* BODY COLOR : 1)METRIC-WHITE 2)INCH-BLACK



● Plug-In Branch Tee



[ØD1-ØD2]



TUBE	METRIC TUBE					INCH TUBE					
	04	06	08	10	12	5/32	3/16	1/4	5/16	3/8	1/2
5/32						FTN-T5/32-T5/32		FTN-T1/4-T5/32			
3/16							FTN-T3/16-T3/16				
1/4								FTN-T1/4-T1/4	FTN-T5/16-T1/4	FTN-T3/8-T1/4	
5/16									FTN-T5/16-T5/16	FTN-T3/8-T5/16	
3/8										FTN-T3/8-T3/8	
1/2											FTN-T1/2-T1/2
04	SQTN04-00	SQTN06-04									
06		SQTN06-00	SQTN08-06								
08			SQTN08-00	SQTN10-08							
10				SQTN10-00	SQTN12-10						
12					SQTN12-00						

● Plug-In Run Tee



[ØD1-ØD2]



TUBE	METRIC TUBE					INCH TUBE				
	04	06	08	10	12	5/32	3/16	1/4	5/16	3/8
5/32						FTAN-T5/32-T5/32		FTAN-T1/4-T5/32		
3/16							FTAN-T3/16-T3/16			
1/4								FTAN-T1/4-T1/4	FTAN-T5/16-T1/4	FTAN-T3/8-T1/4
5/16									FTAN-T5/16-T5/16	FTAN-T3/8-T5/16
3/8										FTAN-T3/8-T3/8
1/2										FTAN-T3/8-T1/2
04	SQTAN04-00	SQTAN06-04								
06		SQTAN06-00	SQTAN08-06							
08			SQTAN08-00	SQTAN10-08						
10				SQTAN10-00	SQTAN12-10					
12					SQTAN12-00					



● Plug-In Y & Plug-In Reducer Y [ØD1]

TUBE	METRIC TUBE					INCH TUBE					
	04	06	08	10	12	5/32	3/16	1/4	5/16	3/8	1/2
5/32						FYN-T5/32-T5/32					
3/16							FYN-T3/16-T3/16				
1/4								FYN-T1/4-T1/4			
5/16									FYN-T5/16-T5/16		
3/8										FYN-T3/8-T3/8	
1/2											FYN-T1/2-T1/2
04	SQU04-99										
06		SQU06-99									
08			SQU08-99								
10				SQU10-99							
12					SQU12-99						

* BODY COLOR : 1)METRIC-WHITE 2)INCH-BLACK



● Plug-In Reducer Triple Branch [ØD1-ØD2]



TUBE	METRIC TUBE					INCH TUBE					
	04	06	08	10	12	5/32	3/16	1/4	5/16	3/8	1/2
5/32							FMN-T3/16-T5/32	FMN-T1/4-T5/32	FMN-T5/16-T5/32		
3/16									FMN-T5/16-T3/16		
1/4									FMN-T5/16-T1/4		
5/16										FMN-T3/8-T5/16	
04		SQMN06-04									
06			SQMN08-04								
08			SQMN08-06	SQMN10-08							
10											
12											



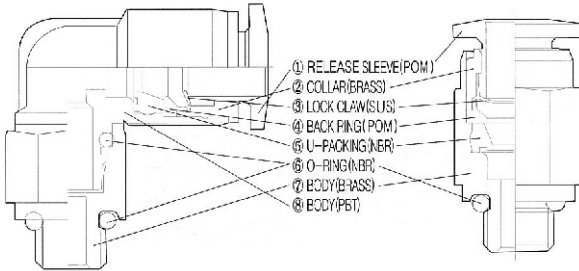
● Tube Splicer & Reducer Tube Splicer [ØD1-ØD2]

TUBE	METRIC TUBE						INCH TUBE					
	04	06	08	10	12	16	5/32	3/16	1/4	5/16	3/8	1/2
5/32							FSNN-T5/32-T5/32	FSNN-T3/16-T5/32	FSNN-T1/4-T5/32			
3/16								FSNN-T3/16-T3/16	FSNN-T1/4-T3/16			
1/4									FSNN-T1/4-T1/4	FSNN-T5/16-T1/4		
5/16										FSNN-T5/16-T5/16	FSNN-T3/8-T5/16	
3/8											FSNN-T3/8-T3/8	FSNN-T1/2-T3/8
1/2												FSNN-T1/2-T1/2
04	SQNN04-00											
06		SQNN06-00										
08			SQNN08-00									
10				SQNN10-00								
12					SQNN12-00							



Compact One-Touch Fittings

Construction



FEATURES

- Ideal for pneumatic connections specifically for small and compact equipments.
- Aesthetically pleasing nickel-plated metallic standardized feature for all applicable compact fittings.

Specifications

Applicable fluid Type	AIR (No other type of gas or liquid)	
Working Pressure range	0~150 PSI	0~9.9kgF/cm ² (0~990KPa)
Negative Pressure	-29.5 in Hg	-750mm Hg (10 Torr)
Working temperature Range	32~140°F	0~60°C

Product Code Designation

SC / FC	T1/8	N1/8
(a)	(b)	(c)

- Ⓐ MODEL TYPE : SC (Metric) / FC (Inch Tube)
- Ⓑ TUBE OUTSIDE DIAMETER (φ O.D.)

	METRIC TUBE			INCH TUBE		
CODE	03	04	06	1/8	5/32	1/4
SIZE	3mm	4mm	6mm	1/8"	5/32"	1/4"

Ⓒ THREAD TYPE & SIZE (T)

• METRIC & R(PT) THREAD

	METRIC THREAD			R(PT) THREAD
CODE	M3	M5	M6	O1
SIZE	M3×0.5	M5×0.8	M6×1.0	R1/8

• INCH (UNF & NPT) THREAD

	UNF THREAD	NPT THREAD	
CODE	U	N0	N1
SIZE	10-32UNF	NPT1/16	NPT1/8



● Straight(Compact)

[ØD-T]

THREAD	METRIC TUBE			INCH TUBE		
	03	04	06	1/8	5/32	1/4
10-32UNF				FCS-T1/8-U10	FCS-T5/32-U10	FCS-T1/4-U10
1/16NPT				FCS-T1/8-N1/16	FCS-T5/32-N1/16	
1/8NPT				FCS-T1/8-N1/8	FCS-T5/32-N1/8	FCS-T1/4-N1/8
M3	SCS03-M3	SCS04-M3		FCS-T1/8-M3	FCS-T5/32-M3	
M5	SCS03-M5	SCS04-M5	SCS06-M5	FCS-T1/8-M5	FCS-T5/32-M5	FCS-T1/4-M5
M6	SCS03-M6	SCS04-M6	SCS06-M6	FCS-T1/8-M6	FCS-T5/32-M6	FCS-T1/4-M6
1/8PT		SCS04-01S	SCS06-01S	FCS-T1/8-P1/8	FCS-T5/32-P1/8	FCS-T1/4-P1/8



● Round Male Straight(Compact)

[ØD-T]

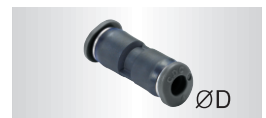
THREAD	METRIC TUBE			INCH TUBE		
	03	04	06	1/8	5/32	1/4
10-32UNF				FCSR-T1/8-U10	FCSR-T5/32-U10	FCSR-T1/4-U10
1/16NPT				FCSR-T1/8-N1/16	FCSR-T5/32-N1/16	
1/8NPT				FCSR-T1/8-N1/8	FCSR-T5/32-N1/8	FCSR-T1/4-N1/8
M3	SCSR03-M3	SCSR04-M3		FCSR-T1/8-M3	FCSR-T5/32-M3	
M5	SCSR03-M5	SCSR04-M5	SCSR06-M5	FCSR-T1/8-M5	FCSR-T5/32-M5	FCSR-T1/4-M5
M6	SCSR03-M6	SCSR04-M6	SCSR06-M6	FCSR-T1/8-M6	FCSR-T5/32-M6	FCSR-T1/4-M6
1/8PT		SCSR04-01S	SCSR06-01S		FCSR-T5/32-P1/8	FCSR-T1/4-P1/8



● Female Straight(Compact)

[ØD-T]

THREAD	METRIC TUBE		INCH TUBE	
	03	04	1/8	5/32
10-32UNF			FCSF-T1/8-U10	FCSF-T5/32-U10
1/16NPT			FCSF-T1/8-N1/16	FCSF-T5/32-N1/16
M3	SCSF03-M3	SCSF04-M3	FCSF-T1/8-M3	FCSF-T5/32-M3
M5	SCSF03-M5	SCSF04-M5	FCSF-T1/8-M5	FCSF-T5/32-M5



● Union Straight(Compact)

[ØD]

TUBE	METRIC TUBE		
	03	04	06
03	SCS03-00		
04		SCS04-00	
06			SCS06-00

TUBE	INCH TUBE		
	1/8	5/32	1/4
1/8	FCS-T1/8-T1/8		
5/32		FCS-T5/32-T5/32	FCS-T1/4-T5/32
3/16			FCS-T1/4-T3/16
1/4			FCS-T1/4-T1/4



Male Elbow(Compact)

[\varnothing D-T]



THREAD	METRIC TUBE			INCH TUBE		
	03	04	06	1/8	5/32	1/4
10-32UNF				FCE-T/8-U10	FCE-T5/32-U10	FCE-T1/4-U10
1/16NPT				FCE-T/8-N1/16	FCE-T5/32-N1/16	
1/8NPT				FCE-T/8-N1/8	FCE-T5/32-N1/8	FCE-T1/4-N1/8
M3	SCE03-M3	SCE04-M3		FCE-T/8-M3	FCE-T5/32-M3	
M5	SCE03-M5	SCE04-M5	SCE06-M5	FCE-T/8-M5	FCE-T5/32-M5	FCE-T1/4-M5
M6	SCE03-M6	SCE04-M6	SCE06-M6	FCE-T/8-M6	FCE-T5/32-M6	FCE-T1/4-M6
1/8PT		SCE04-01	SCE06-01	FCE-T/8-P1/8	FCE-T5/32-P1/8	FCE-T1/4-P1/8

Extended Male Elbow(Compact)

[\varnothing D-T]



THREAD	METRIC TUBE			INCH TUBE		
	03	04	06	1/8	5/32	1/4
M3	SCEL03-M3	SCEL04-M3		FCCEL-T1/8-M3	FCSR-T5/32-U10	
M5	SCEL03-M5	SCEL04-M5	SCEL06-M5	FCCEL-T1/8-M5	FCSR-T5/32-N1/16	FCCEL-T1/4-M5
M6		SCEL04-M6	SCEL06-M6	FCCEL-T1/8-M6	FCSR-T5/32-M3	FCCEL-T1/4-M6
1/8PT		SCEL04-01	SCEL06-01		FCSR-T5/32-M5	FCCEL-T1/4-P1/8

Union Elbow(Compact)

[\varnothing D]



THREAD	METRIC TUBE		
	03	04	06
03	SCE03-00		
04		SCE04-00	
06			SCE06-00

THREAD	INCH TUBE		
	1/8	5/32	1/4
1/8	FCE-T/18-T/18		
5/32		FCE-T5/32-T5/32	
1/4			FCE-T1/4-T1/4

Union Y(Compact)

[\varnothing D]



THREAD	METRIC TUBE		
	03	04	06
03	SCY03-00		
04		SCY04-00	
06			SCY06-00

THREAD	INCH TUBE		
	1/8	5/32	1/4
1/8	FCY-T/18-T/18		
5/32		FCY-T5/32-T5/32	
1/4			FCY-T1/4-T1/4

● Male Branch Tee(Compact)

[ØD-T]



THREAD	METRIC TUBE			INCH TUBE		
	03	04	06	1/8	5/32	1/4
10-32UNF				FCT-T/8-U10	FCT-T5/32-U10	FCT-T1/4-U10
1/16NPT				FCT-T/8-N1/16	FCT-T5/32-N1/16	
1/8NPT				FCT-T/8-N1/8	FCT-T5/32-N1/8	FCT-T1/4-N1/8
M3	SCT03-M3	SCT04-M3		FCT-T/8-M3	FCT-T5/32-M3	
M5	SCT03-M5	SCT04-M5	SCT06-M5	FCT-T/8-M5	FCT-T5/32-M5	FCT-T1/4-M5
M6	SCT03-M6	SCT04-M6	SCT06-M6	FCT-T/8-M6	FCT-T5/32-M6	FCT-T1/4-M6
1/8PT		SCT04-01	SCT06-01		FCT-T5/32-P1/8	FCT-T1/4-P1/8

● Male Run Tee(Compact)

[ØD-T]



THREAD	METRIC TUBE			INCH TUBE		
	03	04	06	1/8	5/32	1/4
10-32UNF				FCTA-T/8-U10	FCTA-T5/32-U10	FCTA-T1/4-U10
1/16NPT				FCTA-T/8-N1/16	FCTA-T5/32-N1/16	
1/8NPT				FCTA-T/8-N1/8	FCTA-T5/32-N1/8	FCTA-T1/4-N1/8
M3	SCTA03-M3	SCTA04-M3		FCTA-T/8-M3	FCTA-T5/32-M3	
M5	SCTA03-M5	SCTA04-M5	SCTA06-M5	FCTA-T/8-M5	FCTA-T5/32-M5	FCTA-T1/4-M5
M6	SCTA03-M6	SCTA04-M6	SCTA06-M6	FCTA-T/8-M6	FCTA-T5/32-M6	FCTA-T1/4-M6
1/8PT		SCTA04-01	SCTA06-01		FCTA-T5/32-P1/8	FCTA-T1/4-P1/8

● Union Tee(Compact)

[ØD]



THREAD	METRIC TUBE		
	03	04	06
03	SCT03-00		
04		SCT04-00	
06			SCT06-00

THREAD	INCH TUBE		
	1/8	5/32	1/4
1/8	FCT-T/18-T/18		
5/32		FCT-T5/32-T5/32	
1/4			FCT-T1/4-T1/4

● Plug-in Reducer(Compact)

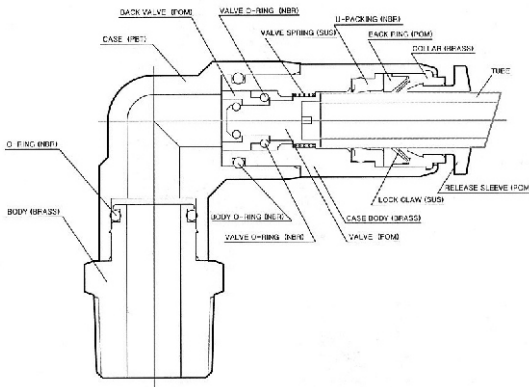


THREAD	INCH TUBE	
	1/8	5/32
1/4	FCSN-T1/4-P1/8	FCSN-T1/4-P5/32
5/32	FCSN-T5/32-P1/8	



Stop Fittings

Construction



FEATURES

- Flow of air is completely stopped upon disconnecting the tube and reinstated upon reconnecting the tube.
- Dual-passage mechanism allows the pressure source to be originated from either side of the pneumatic connection.
- Ideal for pneumatic applications where tubing connections are frequently re-arranged.
- Suitable for experimenting, testing, demonstrating, and educating various pneumatic applications.

Specifications

Applicable fluid Type	AIR (No other type of gas or liquid)	
Working Pressure range	0~150 PSI	0~9.9kgF/cm ² (0~990KPa)
Negative Pressure	-29.5 in Hg	-750mm Hg (10 Torr)
Working temperature Range	32~140°F	0~60°C

Product Code Designation

SQ / F	—	T1/4	—	N1/4
(a)		(b)		(c)

- (a) MODEL TYPE : SQ (Metric) / F (Inch Tube)
- (b) TUBE OUTSIDE DIAMETER (φ O.D.)

	METRIC TUBE					INCH TUBE					
CODE	04	06	08	10	12	5/32	3/16	1/4	5/16	3/8	1/2
SIZE	4mm	6mm	8mm	10mm	12mm	5/32"	3/16"	1/4"	5/16"	3/8"	1/2"

(c) THREAD TYPE & SIZE (T)

• METRIC & R(PT) THREAD

	METRIC THREAD		R(PT) THREAD			
CODE	M5	M6	01	02	03	04
SIZE	M5×0.8	M6×1.0	R1/8	R1/4	R3/8	R1/2

• INCH (UNF & NPT) THREAD

	UNF THREAD	NPT THREAD			
CODE	U	N1	N2	N3	N4
SIZE	10-32UNF	NPT1/8	NPT1/4	NPT3/8	NPT1/2

● Straight(Stop Fitting)



[ØD-T]



THREAD	METRIC TUBE					INCH TUBE			
	04	06	08	10	12	1/4	5/16	3/8	1/2
10-32UNF									
1/8NPT						FSS-T1/4-N1/8	FSS-T5/16-N1/8		
1/4NPT						FSS-T1/4-N1/4	FSS-T5/16-N1/4	FSS-T3/8-N1/4	
3/8NPT							FSS-T5/16-N3/8	FSS-T3/8-N3/8	FSS-T1/2-N3/8
1/2NPT									FSS-T1/2-N1/2
1/8PT	SQSS04-01	SQSS06-01							
1/4PT		SQSS06-02	SQSS08-02						
3/8PT			SQSS08-03	SQSS10-03	SQSS12-03				
1/2PT				SQSS10-04	SQSS12-04				

● Elbow(Stop Fitting)

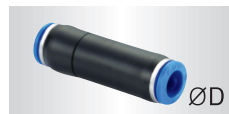


[ØD-T]



THREAD	METRIC TUBE					INCH TUBE					
	04	06	08	10	12	5/32	3/16	1/4	5/16	3/8	1/2
10-32UNF						FES-T5/32-U10	FES-T3/16-U10	FES-T1/4-U10			
1/8NPT						FES-T5/32-N1/8	FES-T3/16-N1/8	FES-T1/4-N1/8	FES-T5/16-N1/8		
1/4NPT							FES-T3/16-N1/4	FES-T1/4-N1/4	FES-T5/16-N1/4	FES-T3/8-N1/4	
3/8NPT									FES-T5/16-N3/8	FES-T3/8-N3/8	FES-T1/2-N3/8
1/2NPT										FES-T3/8-N1/2	FES-T1/2-N1/2
M5	SQES04-M5	SQES06-M5									
M6	SQES04-M6										
1/8PT	SQES04-01	SQES06-01	SQES08-01								
1/4PT		SQES06-02	SQES08-02	SQES10-02							
3/8PT				SQES10-03	SQES12-03						
1/2PT				SQES10-04	SQES12-04						

● Union straight(Stop Fitting)



[ØD]

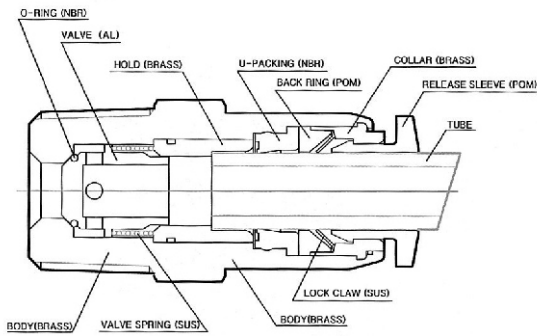


TUBE	METRIC TUBE					INCH TUBE					
	04	06	08	10	12	5/32	3/16	1/4	5/16	3/8	1/2
	SQSS04-00	SQSS06-00	SQSS08-00	SQSS10-00	SQSS12-00	FSS-T5/32-T5/32	FSS-T3/16-T3/16	FSS-T1/4-T1/4	FSS-T5/16-T5/16	FSS-T3/8-T3/8	FSS-T1/2-T1/2



Check Valves

Construction



FEATURES

- Uni-directionality of airflow is maintained while the flow of air in the opposite direction is completely prevented.
- Constant input and output air pressure is achieved due to the controlled directionality of airflow.
- Suitable for the pneumatic applications under low operational pressure conditions.

Specifications

Applicable fluid Type	AIR (No other type of gas or liquid)	
Working Pressure range	0~150 PSI	0~9.9kgF/cm ² (0~990KPa)
Negative Pressure	-29.5 in Hg	-750mm Hg (10 Torr)
Working temperature Range	32~140°F	0~60°C

Product Code Designation

SQSK / FSK	—	T1/4	—	N1/4	—	∅
(a)		(b)		(c)		(d)

- (a) MODEL TYPE : SQSK (Metric) / FSK (Inch Tube)
- (b) TUBE OUTSIDE DIAMETER (∅ O.D.)

	METRIC TUBE					INCH TUBE					
CODE	04	06	08	10	12	5/32	3/16	1/4	5/16	3/8	1/2
SIZE	4mm	6mm	8mm	10mm	12mm	5/32"	3/16"	1/4"	5/16"	3/8"	1/2"

(c) THREAD TYPE & SIZE (T)

• METRIC & R(PT) THREAD

	METRIC THREAD		R(PT) THREAD			
CODE	M5	M6	01	02	03	04
SIZE	M5×0.8	M6×1.0	R1/8	R1/4	R3/8	R1/2

• INCH (UNF & NPT) THREAD

	UNF THREAD	NPT THREAD			
CODE	U	N1	N2	N3	N4
SIZE	10-32UNF	NPT1/8	NPT1/4	NPT3/8	NPT1/2

(d) CONTROL METHOD

	Input on external thread side	Output on external thread side
CODE	1 (IN)	∅ (OUT)
Straight Type		
Union Straight Type		

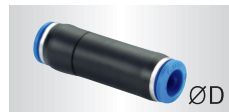


● Straight(Check Valve)

[ØD-T]

THREAD	METRIC TUBE					INCH TUBE					
	04	06	08	10	12	5/32	3/16	1/4	5/16	3/8	1/2
10-32UNF						FSK-T5/32-U10					
1/8NPT						FSK-T5/32-N1/8	FSK-T3/16-N1/8	FSK-T1/4-N1/8	FSK-T5/16-N1/8		
1/4NPT							FSK-T3/16-N1/4	FSK-T1/4-N1/4	FSK-T5/16-N1/4		
3/8NPT										FSK-T3/8-N3/8	FSK-T1/2-N3/8
1/2NPT										FSK-T3/8-N1/2	FSK-T1/2-N1/2
M5	SQSK04-M5										
M6	SQSK04-M6										
1/8PT	SQSK04-01	SQSK06-01	SQSK08-01								
1/4PT		SQSK06-02	SQSK08-02								
3/8PT				SQSK10-03	SQSK12-03						
1/2PT				SQSK10-04	SQSK12-04						

● Union straight(Check Valve)



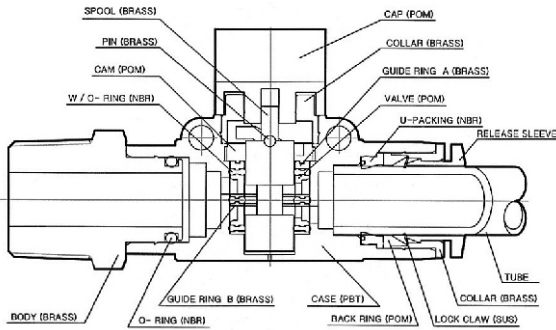
[ØD]



TUBE	METRIC TUBE					INCH TUBE					
	04	06	08	10	12	5/32	3/16	1/4	5/16	3/8	1/2
	SQSK04-00	SQSK06-00	SQSK08-00	SQSK10-00	SQSK12-00	FSK-T5/32-T5/32	FSK-T5/32-T5/32	FSK-T1/4-T1/4	FSK-T5/16-T5/16	FSK-T3/8-T3/8	FSK-T1/2-T1/2

Hand Valves

Construction



FEATURES

- The source of pressure can be completely shut off by simply turning the knob.
- Three-way directional control configuration releases the residual internal pressure on the output side when manually closed.
- Ideal for inspecting or repairing any devices without compromising the safety.
- Directionality of airflow may be selected from the tubing or threaded input side to the tubing or threaded output side.

Specifications

Applicable fluid Type	AIR (No other type of gas or liquid)	
Working Pressure range	0~150 PSI	0~9.9kgF/cm ² (0~990KPa)
Negative Pressure	-29.5 in Hg	-750mm Hg (10 Torr)
Working temperature Range	32~140°F	0~60°C

Product Code Designation

FSV	—	T1/4	—	N1/4
(a)		(b)		(c)

- (a) MODEL TYPE
- (b) TUBE OUTSIDE DIAMETER (φ O.D.)

	METRIC TUBE				INCH TUBE			
CODE	06	08	10	12	1/4	5/16	3/8	1/2
SIZE	6mm	8mm	10mm	12mm	1/4"	5/16"	3/8"	1/2"

(c) THREAD TYPE & SIZE (T)

• METRIC & R(P.T) THREAD

	METRIC THREAD	R(P.T) THREAD				
CODE	M5	01	02	03	04	06
SIZE	M5×0.8	R1/8	R1/4	R3/8	R1/2	R3/4

• INCH THREAD

	NPT THREAD			
CODE	N1	N2	N3	N4
SIZE	NPT1/8	NPT1/4	NPT3/8	NPT1/2

● Straight A (Hand Valve)



[ØD-T]



THREAD	METRIC TUBE					INCH TUBE					
	04	06	08	10	12	5/32	3/16	1/4	5/16	3/8	1/2
1/8NPT								FSV-T1/4-N1/8	FSV-T5/16-N1/8		
1/4NPT								FSV-T1/4-N1/4	FSV-T5/16-N1/4	FSV-T3/8-N1/4	FSV-T1/2-N1/4
3/8NPT								FSV-T1/4-N3/8	FSV-T5/16-N3/8	FSV-T3/8-N3/8	FSV-T1/2-N3/8
1/2NPT										FSV-T3/8-N1/2	FSV-T1/2-N1/2
1/8PT		FSV06-01	FSV08-01								
1/4PT		FSV06-02	FSV08-02	FSV10-02	FSV12-02						
3/8PT		FSV06-03	FSV08-03	FSV10-03	FSV12-03						
1/2PT				FSV10-04	FSV12-04						

● Straight B (Hand Valve)



[T-ØD]



THREAD	METRIC TUBE					INCH TUBE					
	04	06	08	10	12	5/32	3/16	1/4	5/16	3/8	1/2
1/8NPT								FSV-N1/8-T1/4	FSV-N1/8-T5/16		
1/4NPT								FSV-N1/4-T1/4	FSV-N1/4-T5/16	FSV-N1/4-T3/8	FSV-N1/4-T1/2
3/8NPT								FSV-N3/8-T1/4	FSV-N3/8-T5/16	FSV-N3/8-T3/8	FSV-N3/8-T1/2
1/2NPT										FSV-N1/2-T3/8	FSV-N1/2-T1/2
1/8PT		FSV01-06	FSV01-08								
1/4PT		FSV02-06	FSV02-08	FSV02-10	FSV02-12						
3/8PT		FSV03-06	FSV03-08	FSV03-10	FSV03-12						
1/2PT				FSV04-10	FSV04-12						

● Union straight (Hand Valve)



[ØD1-ØD2]

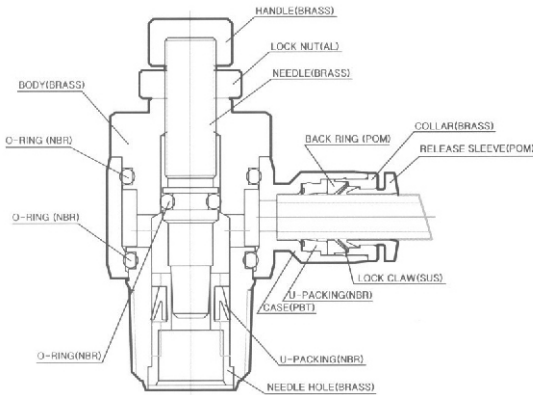


TUBE	METRIC TUBE					INCH TUBE					
	04	06	08	10	12	5/32	3/16	1/4	5/16	3/8	1/2
1/4								FSV-T1/4-T1/4	FSV-T5/16-T1/4		
5/16									FSV-T5/16-T5/16	FSV-T3/8-T5/16	
3/8										FSV-T3/8-T3/8	FSV-T1/2-T3/8
1/2											FSV-T1/2-T1/2
04											
06		FSV06-00									
08			FSV08-00								
10				FSV10-00							
12					FSV12-00						



SPEED CONTROLLERS

Construction



FEATURES

- Accurate regulation of an optimal airflow rate for precise motion control.
- Compact and space-saving configuration provides a functionally wide range of airflow rates.
- Available in control method type for metering of unidirectional airflow either entering into or exhausting out of a driving device.

Specifications

Applicable fluid Type	AIR (No other type of gas or liquid)	
Working Pressure range	0~150 PSI	0~9.9kgF/cm ² (0~990KPa)
Negative Pressure	-29.5 in Hg	-750mm Hg (10 Torr)
Working temperature Range	32~140°F 0~60°C	

Product Code Designation

SP / S	T1/4	N1/4	∅
(a)	(b)	(c)	(d)

- Ⓐ MODEL TYPE : SP (Metric) / S (Inch Tube)
- Ⓑ TUBE OUTSIDE DIAMETER (∅ O.D.)

	METRIC TUBE						INCH TUBE					
CODE	03	04	06	08	10	12	5/32	3/16	1/4	5/16	3/8	1/2
SIZE	3mm	4mm	6mm	8mm	10mm	12mm	5/32"	3/16"	1/4"	5/16"	3/8"	1/2"

Ⓒ THREAD TYPE & SIZE (T)

• METRIC & R(PT) THREAD

	METRIC THREAD	R(PT) THREAD			
CODE	M5	01	02	03	04
SIZE	M5×0.8	R1/8	R1/4	R3/8	R1/2

• INCH (UNF & NPT) THREAD

	UNF THREAD	NPT THREAD			
CODE	U	N1	N2	N3	N4
SIZE	10-32UNF	NPT1/8	NPT1/4	NPT3/8	NPT1/2

Ⓓ CONTROL METHOD

TYPE	METER-OUT	METER-IN
CODE	∅	1



● Elbow(Speed Controller)

[ØD-T]

THREAD	METRIC TUBE					INCH TUBE					
	04	06	08	10	12	5/32	3/16	1/4	5/16	3/8	1/2
10-32UNF						SE-T5/32-U10	SE-T3/16-U10	SE-T1/4-U10			
1/8NPT						SE-T5/32-N1/8	SE-T3/16-N1/8	SE-T1/4-N1/8	SE-T5/16-N1/8		
1/4NPT							SE-T3/16-N1/4	SE-T1/4-N1/4	SE-T5/16-N1/4	SE-T3/8-N1/4	
3/8NPT							SE-T3/16-N3/8	SE-T1/4-N3/8	SE-T5/16-N3/8	SE-T3/8-N3/8	SE-T1/2-N3/8
1/2NPT									SE-T5/16-N1/2	SE-T3/8-N1/2	SE-T1/2-N1/2
M5	SP12'1F-M5-04	SP12'1F-M5-06						SE-T1/4-M5			
1/8PT	SP22'1F-01-04S	SP22'1F-01-06S	SP22'1F-01-08S					SE-T1/4-P1/8	SE-T5/16-P1/8		
1/4PT	SP22'1F-02-04S	SP22'1F-02-06S	SP22'1F-02-08S	SP22'1F-02-10S				SE-T1/4-P1/4	SE-T5/16-P1/4	SE-T3/8-P1/4	
		SP32'1F-02-06S	SP32'1F-02-08S	SP32'1F-02-10S							
3/8PT		SP32'1F-03-06S	SP32'1F-03-08S	SP32'1F-03-10S	SP32'1F-03-12S				SE-T5/16-P3/8	SE-T3/8-P3/8	
1/2PT				SP42'1F-04-10S	SP42'1F-04-12S						

* 0: Meter-Out, 1: Meter-In

* BODY COLOR : 1)METRIC-WHITE 2)INCH-BLACK



● Elbow(Speed Controller-Screw Type)

[ØD-T]



THREAD	METRIC TUBE					INCH TUBE					
	04	06	08	10	12	5/32	3/16	1/4	5/16	3/8	1/2
10-32UNF						SE-T5/32-U10-D	SE-T3/16-U10-D	SE-T1/4-U10-D			
1/8NPT						SE-T5/32-N1/8-D	SE-T3/16-N1/8-D	SE-T1/4-N1/8-D	SE-T5/16-N1/8-D		
1/4NPT							SE-T3/16-N1/4-D	SE-T1/4-N1/4-D	SE-T5/16-N1/4-D	SE-T3/8-N1/4-D	
3/8NPT							SE-T3/16-N3/8-D	SE-T1/4-N3/8-D	SE-T5/16-N3/8-D	SE-T3/8-N3/8-D	SE-T1/2-N3/8-D
1/2NPT									SE-T5/16-N1/2-D	SE-T3/8-N1/2-D	SE-T1/2-N1/2-D
M5	SE-T04-M5-DC	SE-T06-M5-D						SE-T1/4-M5-D			
1/8PT	SE-T04-P1/8-DC	SE-T06-P1/8-D	SE-T08-P1/8-D					SE-T1/4-P1/8-D	SE-T5/16-P1/8-D		
1/4PT	SE-T04-P1/4-DC	SE-T06-P1/4-D	SE-T08-P1/4-D	SE-T10-P1/4-DC	NSC-D12-02			SE-T1/4-P1/4-D	SE-T5/16-P1/4-D	SE-T3/8-P1/4-D	
3/8PT		SE-T06-P3/8-D	SE-T08-P3/8-D	SE-T10-P3/8-DC	SE-T12-P3/8-D				SE-T5/16-P3/8-D	SE-T3/8-P3/8-D	
1/2PT			SE-T08-P1/2-D	SE-T10-P1/2-DC	SE-T12-P1/2-D						

* 0: Meter-Out, 1: Meter-In



● Elbow(Speed Controller-Recessed Type)



[ØD-T]



THREAD	METRIC TUBE					INCH TUBE					
	04	06	08	10	12	5/32	3/16	1/4	5/16	3/8	1/2
10-32UNF						SE'-T5/32-U10-DC	SE'-T3/16-U10-DC	SE'-T1/4-U10-DC			
1/8NPT						SE'-T5/32-N1/8-DC	SE'-T3/16-N1/8-DC	SE'-T1/4-N1/8-DC	SE'-T5/16-N1/8-DC		
1/4NPT							SE'-T3/16-N1/4-DC	SE'-T1/4-N1/4-DC	SE'-T5/16-N1/4-DC	SE'-T3/8-N1/4-DC	
3/8NPT							SE'-T3/16-N3/8-DC	SE'-T1/4-N3/8-DC	SE'-T5/16-N3/8-DC	SE'-T3/8-N3/8-DC	SE'-T1/2-N3/8-D
1/2NPT									SE'-T5/16-N1/2-DC	SE'-T3/8-N1/2-DC	SE'-T1/2-N1/2-D
M5	SE'-T04-M5-DC	SE'-T06-M5-DC						SE'-T1/4-M5-DC			
1/8PT	SE'-T04-P1/8-DC	SE'-T06-P1/8-DC	SE'-T08-P1/8-DC					SE'-T1/4-P1/8-DC	SE'-T5/16-P1/8-DC		
1/4PT	SE'-T04-P1/4-DC	SE'-T06-P1/4-DC	SE'-T08-P1/4-DC	SE'-T10-P1/4-DC				SE'-T1/4-P1/4-DC	SE'-T5/16-P1/4-DC	SE'-T3/8-P1/4-DC	
3/8PT		SE'-T06-P3/8-DC	SE'-T08-P3/8-DC	SE'-T10-P3/8-DC	SE'-T12-P3/8-DC				SE'-T5/16-P3/8-DC	SE'-T3/8-P3/8-DC	
1/2PT			SE'-T08-P1/2-DC	SE'-T10-P1/2-DC	SE'-T12-P1/2-DC						

* 0: Meter-Out, 1: Meter-In

● Straight(Speed Controller)

[ØD]



	METRIC TUBE					INCH TUBE					
	04	06	08	10	12	5/32	3/16	1/4	5/16	3/8	1/2
	SP100F-04	SP100F-06									
		SP200F-06				SS-T5/32-T5/32	SS-T3/16-T3/16	SS-T1/4-T1/4	SS-T5/16-T5/16	SS-T3/8-T3/8	SS-T1/2-T1/2
	SP205F-04										
		SP300F-06		SP300F-10	SP300F-12						

* BODY COLOR : 1)METRIC-WHITE 2)INCH-BLACK

Polyurethane Tube

Construction



FEATURES

- Exceptional flexibility allows a lower degree of tubing curvature radius.
- Durable, light weight, abrasion resistant, chemical resistant, and cost-effective.
- Ideal for pneumatic connections in low ambient temperature conditions.
- Self-retracting and self-storing coil tube characteristics with excellent memory.

APPLICATIONS

- Robotics
- Air tools
- Pneumatic systems
- Analytical Instrumentation

Specifications

Applicable fluid Type	AIR(No other type of gas or liquid)	
Working Pressure range	0~150 PSI	0~9.9kgF/cm ² (0~990KPa)
Negative Pressure	-29.5 in Hg	-750mm Hg(10 Torr)
Working temperature Range	32~140°F	0~60°C

Product Code Designation

ST	—	08	—	100	—	B
		(a)		(b)		(c)

(a) TUBE SIZE

	METRIC TUBE						
CODE	0402	0425	0604	0805	0855	1065	1208
O.D.	4mm	4mm	6mm	8mm	8mm	10mm	12mm
I.D.	2mm	2.5mm	4mm	5mm	5.5mm	6.5mm	8mm

	INCH TUBE						
CODE	1/8	5/32	3/16	1/4	5/16	3/8	1/2
O.D.	1/8"	5/32"	3/16"	1/4"	5/16"	3/8"	1/2"

(b) TUBE LENGTH (METER)

(c) TUBE COLOR CODE

COLOR	Black	Blue	Yellow	Clear
CODE	B	BU	Y	C

● Tubing

[ØD]

TUBE	METRIC TUBE					INCH TUBE						
	04	06	08	10	12	1/8	5/32	3/16	1/4	5/16	3/8	1/2
	ST0425*-200	ST0604*-100	ST0805*-100	ST1065*-100	ST1208*-100	ST1/8*-100	ST5/32*-100	ST3/16*-100	ST1/4*-100	ST5/16*-100	ST3/8*-100	ST1/2*-100
	ST0402*-200		ST0855*-100									

* G:Green, R:Red, B:Black, BU:Blue, Y:Yellow, C:Clear, W:White
 * Minimum Order Quantity of RED & BLUE CLEAR Tubing is 100 Rolls.



www.TPCpage.com



TPC PNEUMATICS

12411 Mc Cann Drive
Santa Fe Springs, CA 90670
Tel: (562)946-8459 (800)374-3954
Fax: (562)944-3785

